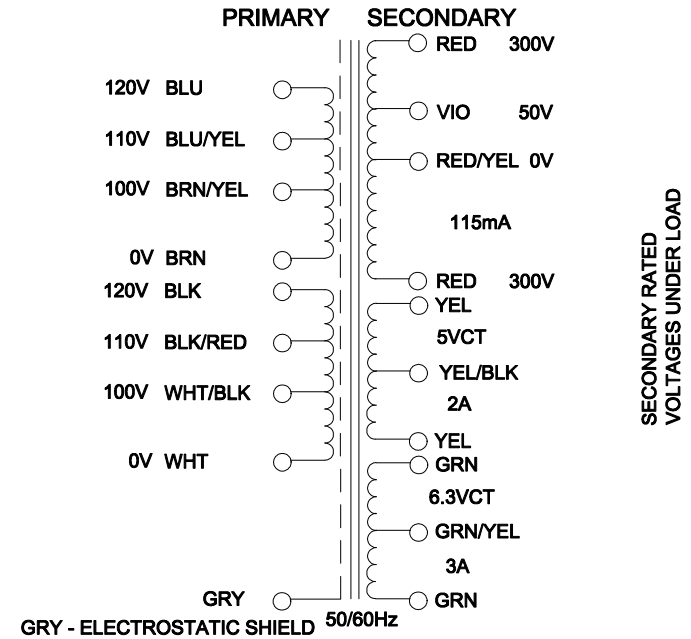
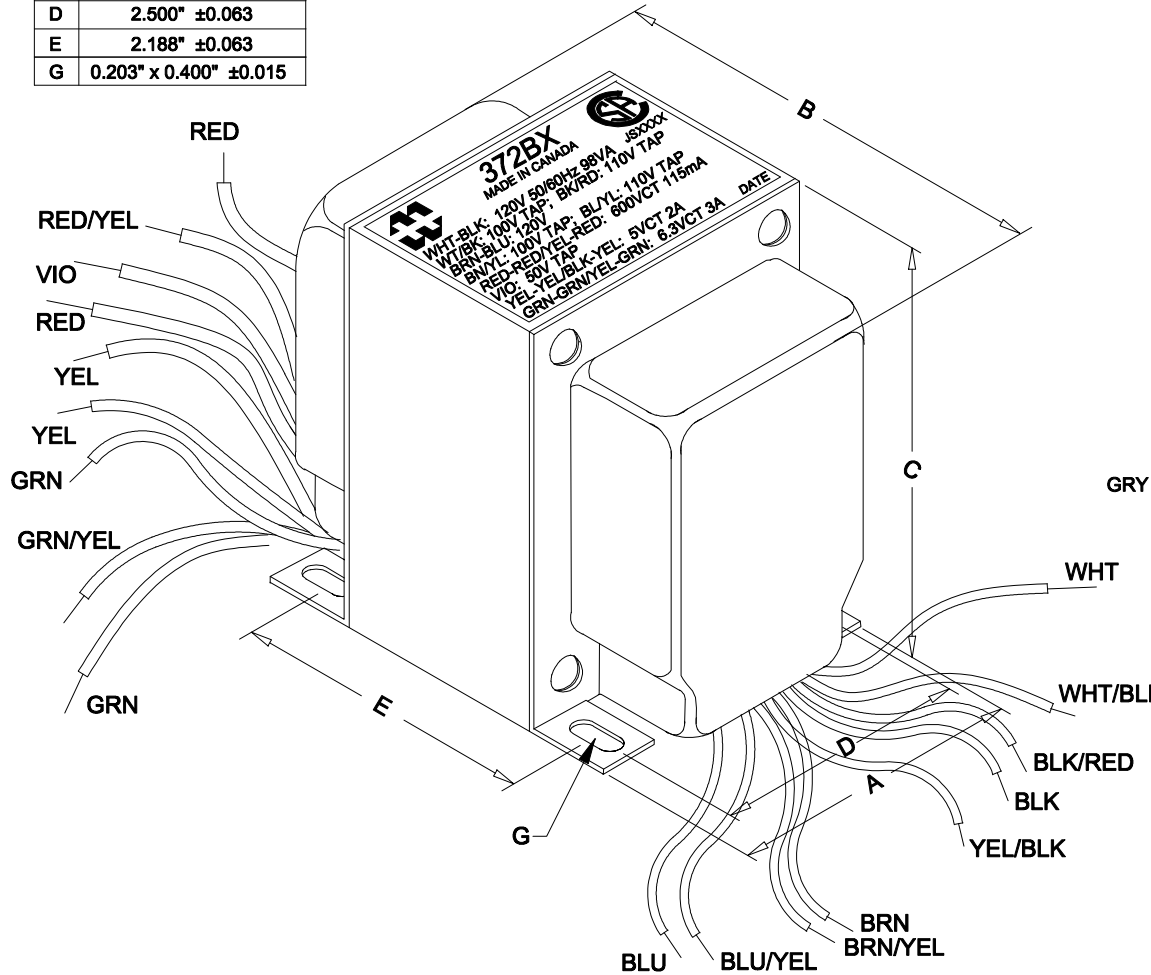


DIMENSIONS:	
A	3.125" ±0.063
B	3.436" ±0.125
C	3.800" ±0.063
D	2.500" ±0.063
E	2.188" ±0.063
G	0.203" x 0.400" ±0.015



ELECTRICAL DATA:		
TESTS	CONDITIONS	ACCEPTANCE CRITERIA
I _{ex}	@ 120V, 60Hz, WHT - BLK	128.4mA Max.
Sec. N.L.V	@ 120V, 60Hz, WHT - BLK	
	RED - RED =	646.3V ±2%
	RED - RED/YEL = RED/YEL - RED =	323.1V ±2%
	RED/YEL - VIO =	50.12V ±2%
	YEL - YEL =	5.307V ±2%
	YEL - YEL/BLK = YEL/BLK - YEL =	2.654V ±2%
	GRN - GRN =	6.781V ±2%
	GRN - GRN/YEL = GRN/YEL - GRN =	3.391V ±2%
DCR	@ 20°C, WHT - BLK =	7.915 Ω ±20%
	@ 20°C, BRN - BLU =	8.652 Ω ±20%
	@ 20°C, RED - RED =	208.8 Ω ±20%
	@ 20°C, YEL - YEL =	0.094 Ω ±20%
	@ 20°C, GRN - GRN =	0.092 Ω ±20%
HIPOT	PRIMARY - SECONDARY	2500V, 60Hz, 1 SEC

NOTE: ALL LEADS 8" OUT MIN. STRIPPED 0.5

REV.#	REVISION	DATE	HAMMOND ELECTRONIC DIVISION	
0	RELEASED. C.I.	09/11/12	52 RANKIN PLACE, WATERLOO, ONTARIO, N2J 3Z5	
			PH # (519) 886-6181	
			FAX # (519) 886-9540	
			DWG. BY: C. ILIE	CHK'D BY:
			DATE: 09/11/12	APP'D. BY:
				DIMENSIONS: IN(X) MM()
			TITLE: POWER TRANSFORMER	DWG. NO. 372BX